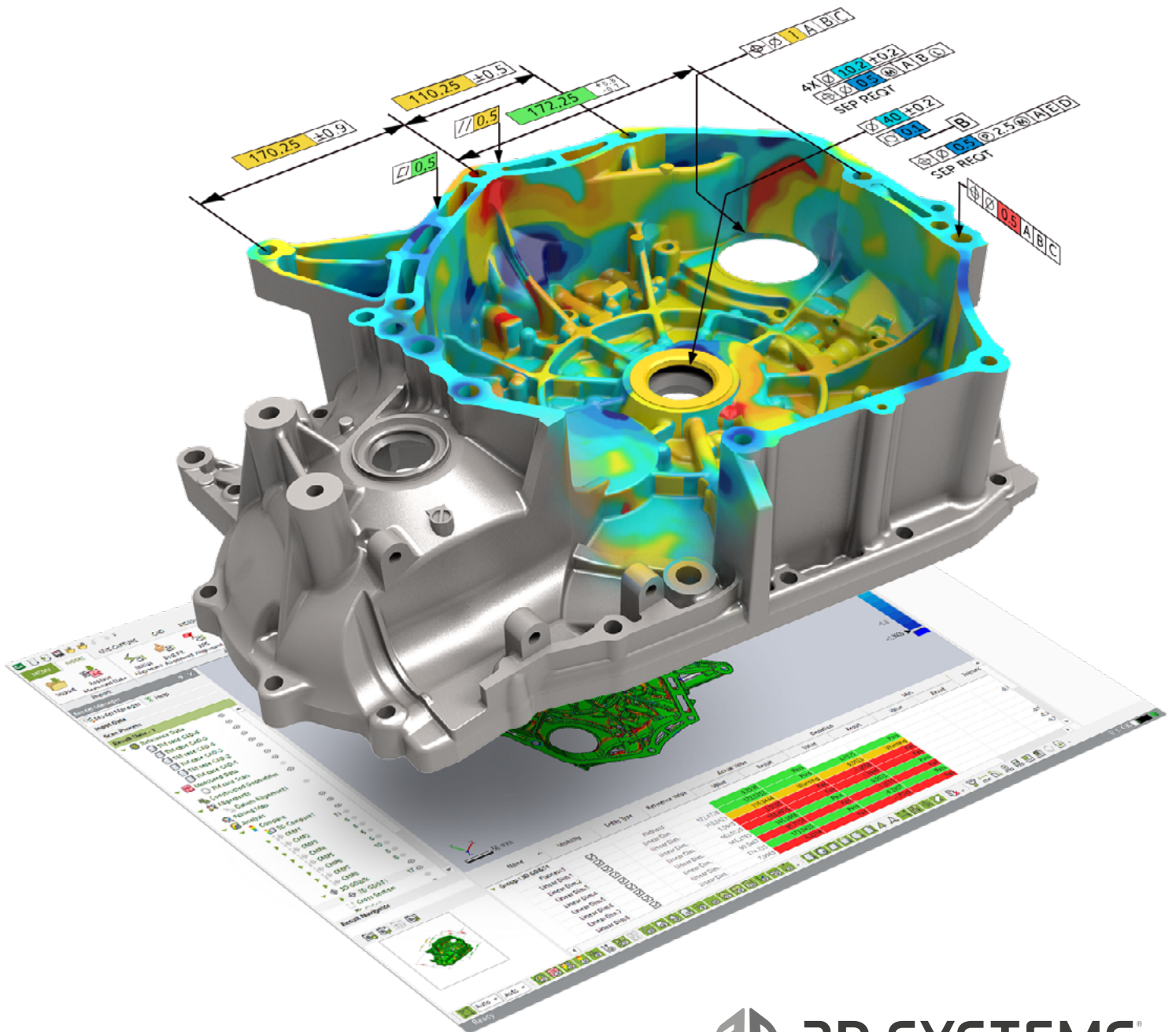


# Cx Geomagic® Control X™

Measure. Understand. Communicate.





# Geomagic® Control X™

## Simply Powerful Metrology Software.

Geomagic® Control X™ is a comprehensive metrology software platform that delivers the industry's most powerful tools within straightforward workflows. With Geomagic Control X quality managers are enabled with revolutionary ease-of-use, intuitive, comprehensive controls and traceable, repeatable workflows for the quality measurement process. Its fast, precise, information-rich reporting and analysis enable significant productivity and quality gains in any manufacturing workflow.

### Revolutionize Your Inspection Routines

With a simple user interface, innovative new metrology and inspection tools, workflow-driven, preplanned processes and casual walk-up inspection, and more, Geomagic Control X delivers an unparalleled ease-of-use and comprehension for 3D inspection in any manufacturing workflow. Now accurate measurement and fast analysis is on-hand for anyone looking to significantly build quality in manufactured parts and assemblies.

### The Power to Get Reliable Results, The Simplicity to Get Them Quickly

Geomagic Control X's Synchronous Inspection system automatically creates ordered inspection processes without the need of understanding or managing complex workflow design. Spend more time focusing on getting results instead of worrying about how to make the software work for you. Reduce set up time for First Article inspections with CAD aware dimensioning, and instantly produce communication ready results. Native CAD converters including those which contain model-based definition (MBD) are included standard at no additional cost.

### Immediately Understand Your Inspection Results Every Time

Improve your ability to investigate quality issues that may appear across parts or over time through the multiple results system and the Result Navigator. Identify the sources of stack up error in weldments or assemblies by simultaneously working with many results under different alignment scenarios, and derive meaningful, actionable information from the analysis. Understand potential assembled part related issues by collecting families of parts or an assembly into one inspection project for easy cross part referencing. Maintain a single project for an entire part production run containing all measurements over time, and graphically investigate part to part variances.

### Powerfully Communicate The Right Data to All Stakeholders

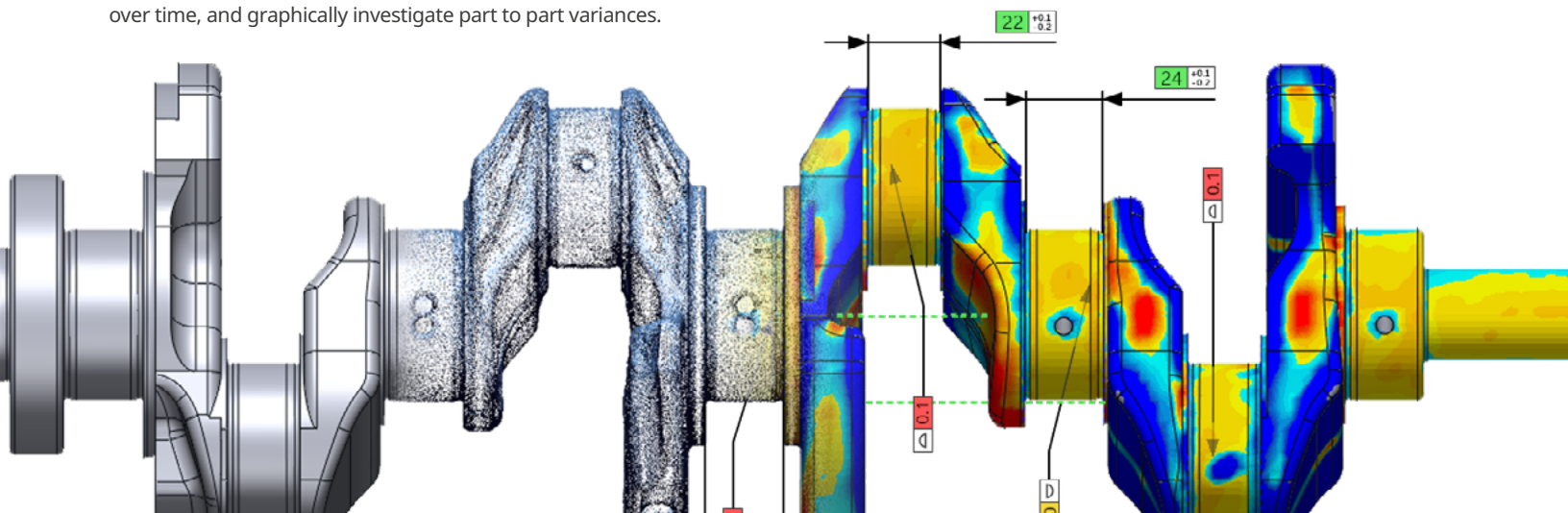
Powerful reporting features in Geomagic Control X enable graphically-rich, communicative reports. Custom viewpoint control and view-style reporting empower you to make your report follow closely the style of a mechanical drawing. Brand new, intelligent 3D dimensioning and annotation management enable you to control in fine detail how dimensions will be displayed. Pick from popular default representations or create customized annotation styles to match company or supplier requirements.

### Automate The Entire Process

Geomagic Control X comes standard with scan data processing and editing tools, as well as the ability to automate data editing, processing, and analysis. Graphically design scan data preprocessing automation workflows with drag and drop simplicity, and connect designed scan processes directly to inspection routines for evaluation. Automate the entire process with a Client - Server deployment to manage input data from many sources and intelligently route to inspection projects.

### Experience Total Accountability and Traceability Through All Inspection Workflows

NIST-PTB certified results give you the confidence to inspect with repeatable, reliable accuracy. The new features of Geomagic Control X allow you to build inspection routines with total accountability and traceability throughout the entire process.



# Quality. Without Compromise.

Geomagic Control X combines the key features created out of the company's 20 year legacy of top-grade inspection software development to bring the world's most reliable and flexible metrology software. Ease-of-use, result-driven workflows plus the addition of key, innovative and advanced new features enable quality and shop floor managers to significantly improve productivity in inspection.

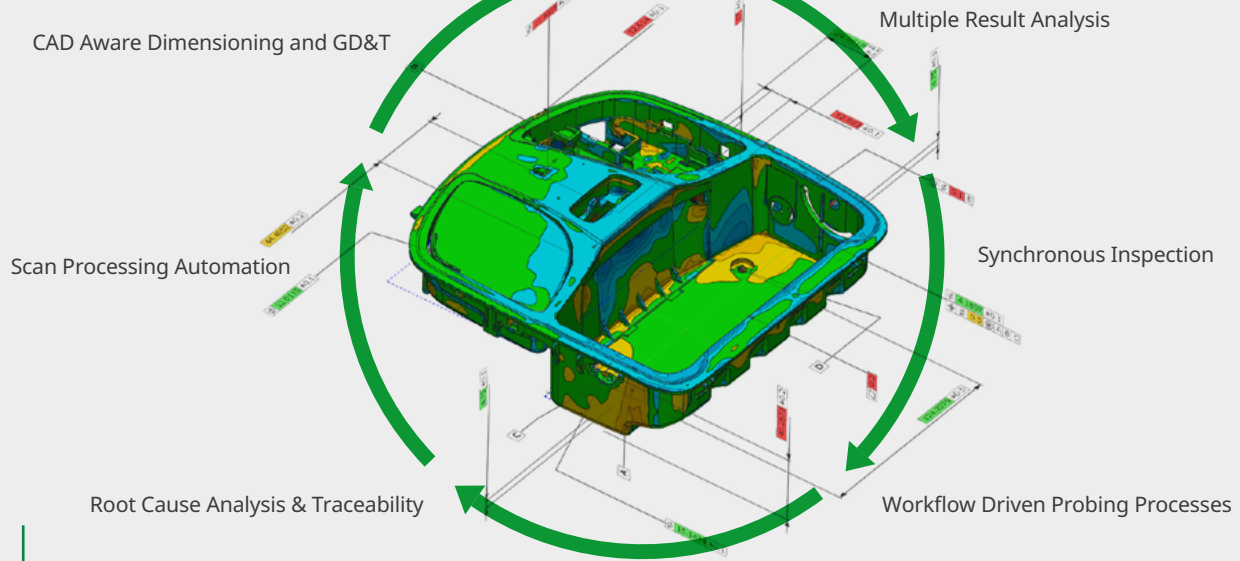
## Workflow

### INPUT

- Direct Scanner Integration
- Preplanned Probing Routines
- Walk Up Inspection Tools
- Scanning Automation

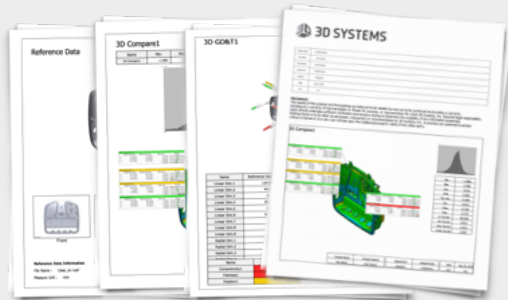


### INSPECTION



### REPORT

- Viewpoint Driven Reporting
- Customizable Templates
- Multi-Result Reporting



### TREND ANALYSIS



## Key Features of Geomagic Control X



### Support for All Industry-standard Hardware Devices and Extensive File Import Support

Supports industry standard non-contact scanners, and a wide range of portable probing devices. Native CAD and PMI importers are delivered at no additional cost.

- CATIA®, NX®, Creo®, Pro/ENGINEER®, SOLIDWORKS®, Solid Edge®, Autodesk Inventor®



### Walk-up Probing for Greater Flexibility

Easy-to-use and understandable workflows that enable unplanned, “walk-up” probing alongside pre-planned probing for fast generations of results every time. Measure your part without any plan and enjoy the ability to re-execute your measurement routine any time.



### CAD-aware Dimensioning, PMI Support and Comprehensive GD&T Callouts

Intuitively dimension and constrain features directly from CAD, or import PMI/MBD enabled models for dramatic improvements in inspection process setup efficiency.



### Synchronous Inspection Delivers Both Ease-of-Inspection and Automation

Enjoy fast, accurate, unordered inspection tools and automatically save as an editable, history-based inspection process for repeatable inspection/reuse.



### Scan Process Automation

Automate scan data preprocessing steps and feed the data directly to projects for evaluation.

Automate steps such as :

- Data selection & deletion
- Scan alignment
- Data merging, sample, and more



### Multiple Results Project System, enables comparative analysis

Faster comparison, analysis and understanding of root causes of production issues. Simultaneously view multiple results for :

- Mating part analysis
- Multiple alignment scenarios
- Multiple part inspections



### Repeatable Probing Processes with LiveInspect™

Pre-plan your portable CMM based inspection process and execute later with graphical and audio guidance. For scan-enabled portable CMMs, effortlessly switch between probing and scanning with a click of a button.



### Custom Reporting Delivers Flexibility

Report definition in Geomagic Control X is highly flexible, making customization fast and simple for each stakeholder.

## Contact Information

### AMERICAS

geomagic.sales.americas@3dsystems.com

Cary, NC, USA : +1.800.691.1839

Brazil : +55.11.3318.5100

Mexico : +52.(644).114.6401

### APAC

geomagic.sales.apac@3dsystems.com

South East Asia : +60.12.398.8473

Australia & New Zealand : +61.450.593.739

India : +91.98404.78347

### CHINA

geomagic.sales.china@3dsystems.com

Hotline : +86.400.890.7899

### EMEA

geomagic.sales.emea@3dsystems.com

Darmstadt, Germany : +49.6151.357.0

### JAPAN

geomagic.sales.japan@3dsystems.com

Tokyo : +81.3.5798.2510

### KOREA

geomagic.sales.korea@3dsystems.com

Seoul : +82.2.6262.9900



3D Systems provides comprehensive 3D products and services, including 3D printers, print materials, on-demand parts services and digital design tools. Its ecosystem supports advanced applications from the product design shop to the factory floor to the operating room. As the originator of 3D printing and a shaper of future 3D solutions, 3D Systems has spent its 30 year history enabling professionals and companies to optimize their designs, transform their workflows, bring innovative products to market and drive new business models.

Specifications subject to change without notice. 3D Systems, Geomagic and the 3D Systems Logo are trademarks of 3D Systems, Inc. All other trademarks are the property of their respective owners.